


-  H1 AlignmentHole
-  H2 AlignmentHole
-  H3 AlignmentHole
-  H4 AlignmentHole
-  H5 MountingHole
-  H6 MountingHole

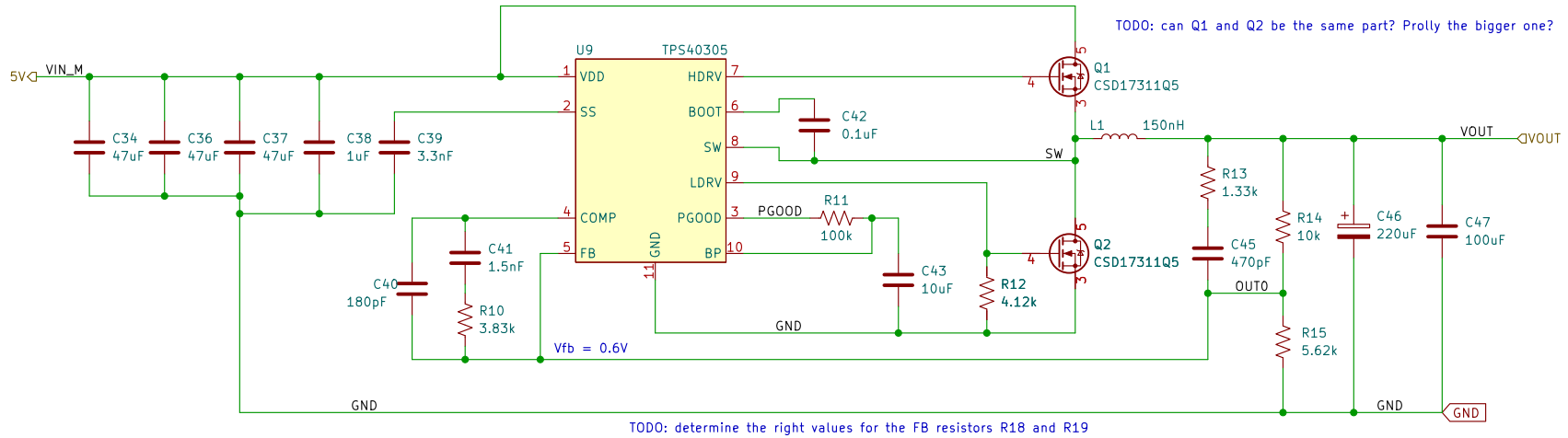
bitaxe, yo

Sheet: /
File: bitaxeMax.kicad_sch

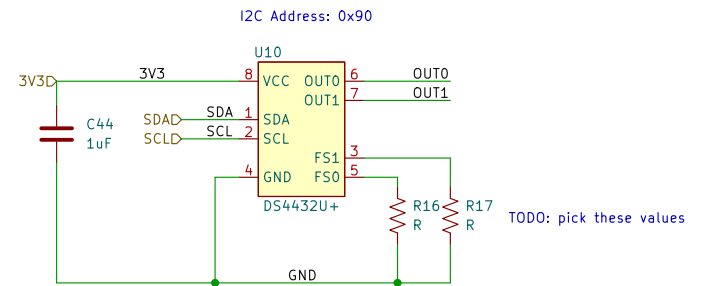
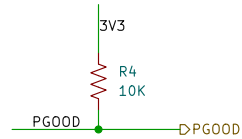
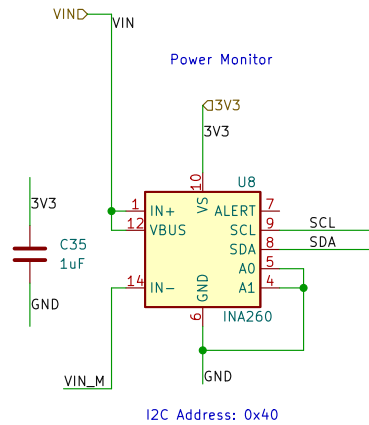
Title: le bitaxeMax

Size: A | Date: 2022-11-08
KiCad E.D.A. kicad (6.0.8-1)-1

Rev: 2
Id: 1/5



This jumper will let you bypass the power meter



Sheet: /Power/
File: power.kicad_sch

Title:

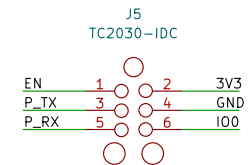
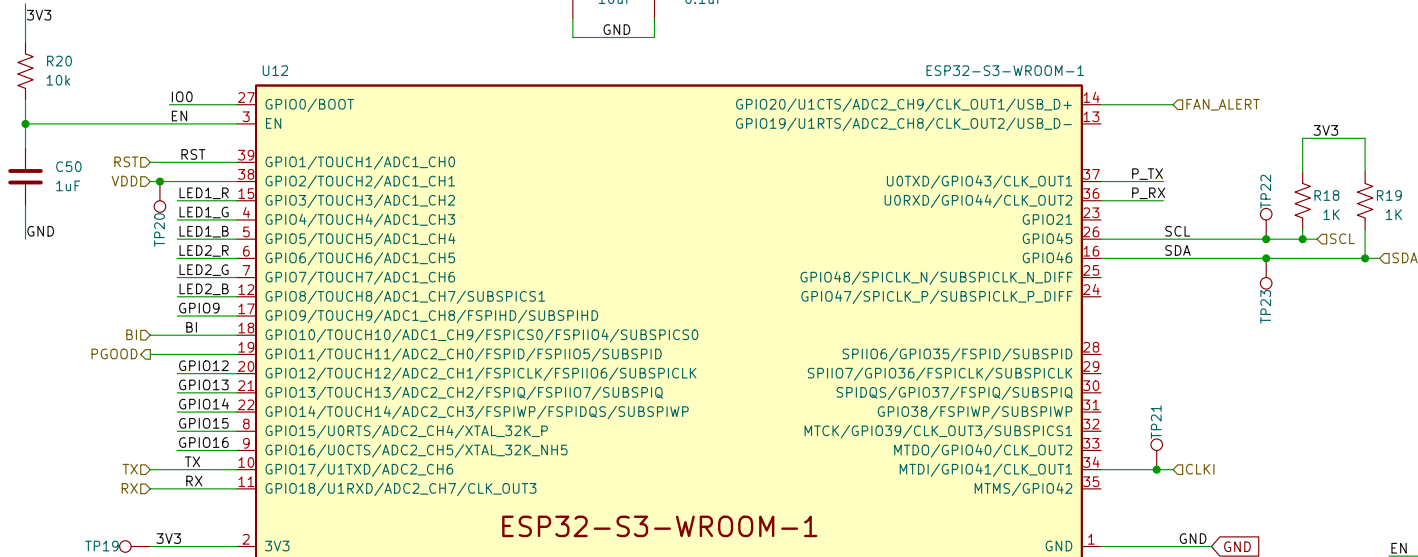
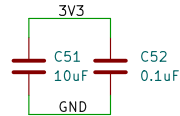
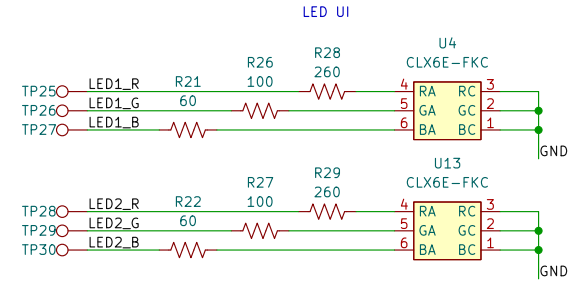
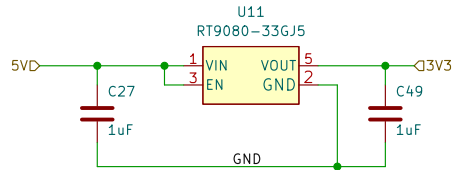
Size: A4

Date:

KiCad E.D.A. kicad (6.0.8-1)-1

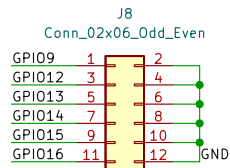
Rev:

Id: 2/5

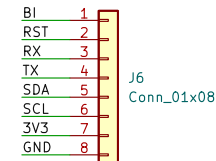


Program the ESP32 with a ESP-PROG and a Tag Connect TC2030-IDC

GPIO Header w/ pullups



3V3 Debug Header



Sheet: /ESP32/
File: esp32.kicad_sch

Title:

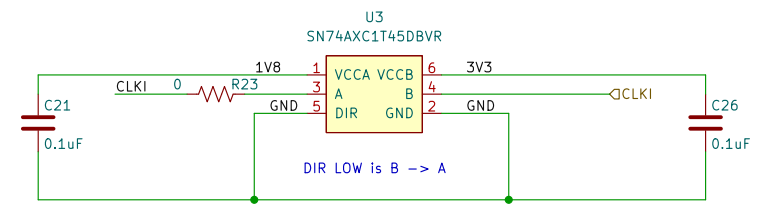
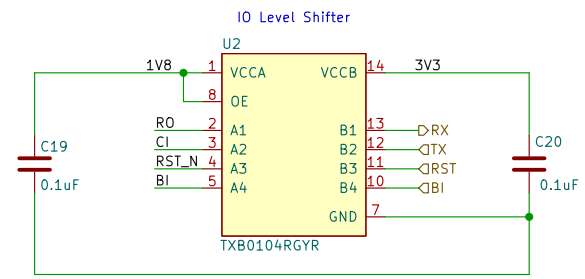
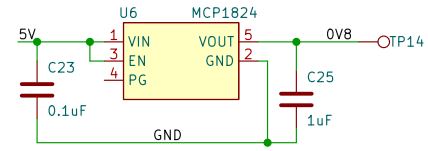
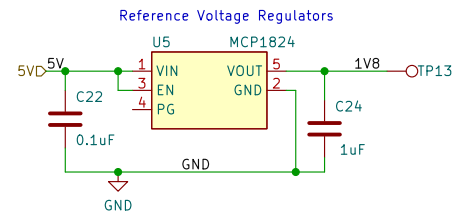
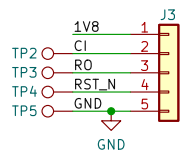
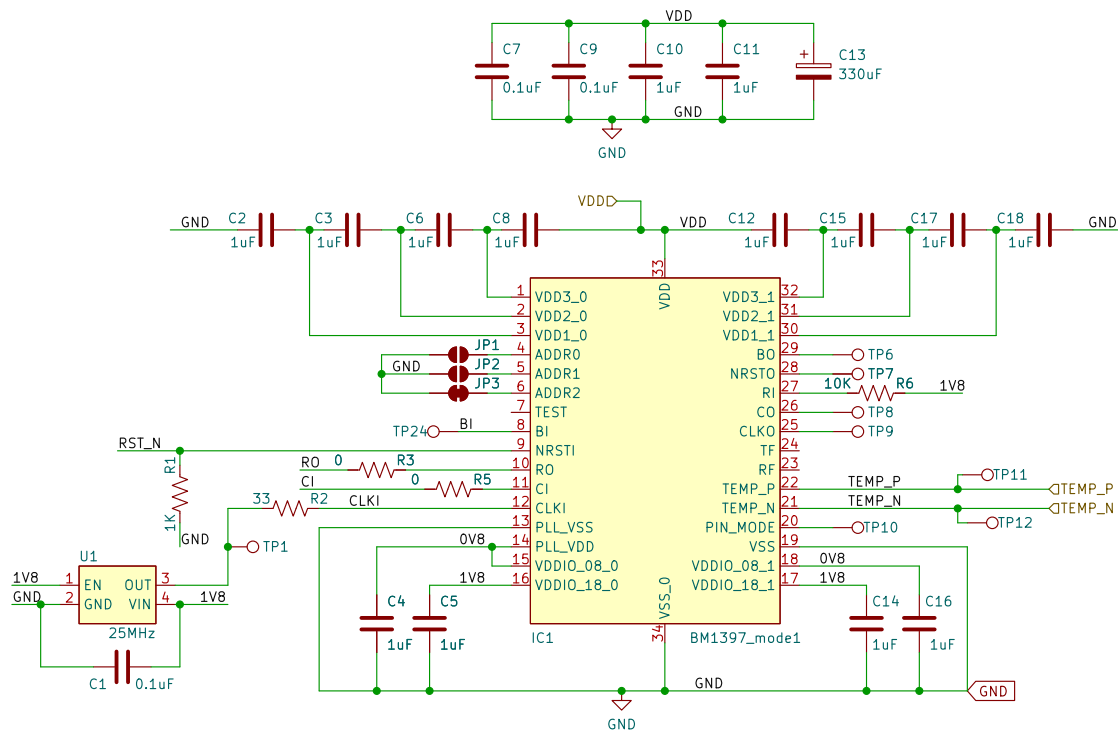
Size: A4

Date:

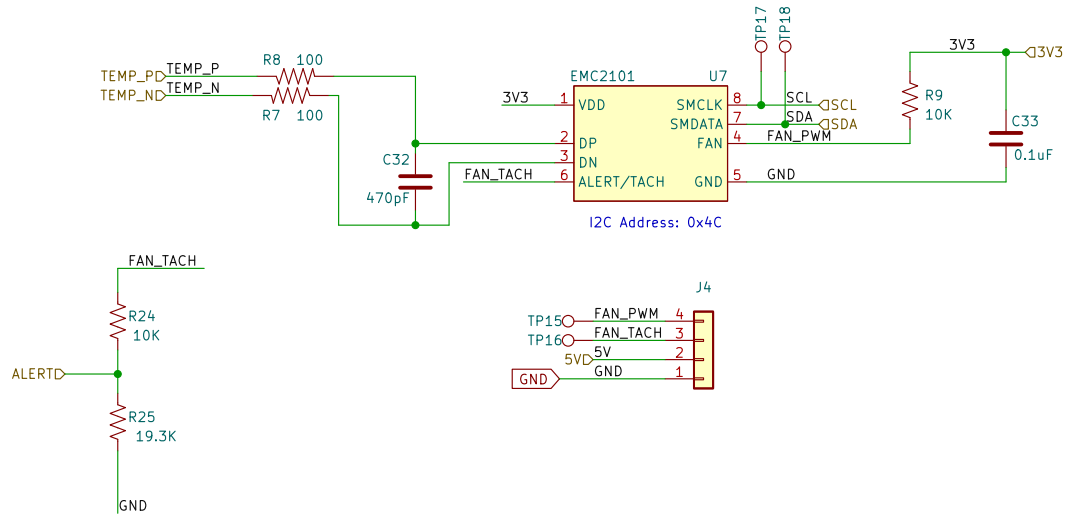
Rev:

KiCad E.D.A. kicad (6.0.8-1)-1

Id: 3/5



Sheet: /BM1397/		File: bm1397.kicad_sch	
Title:			
Size: A4	Date:		Rev:
KiCad E.D.A. kicad (6.0.8-1)-1			Id: 4/5



Sheet: /Fan/
 File: fan.kicad_sch

Title:

Size: A4
 KiCad E.D.A. kicad (6.0.8-1)-1

Date:
 Rev: 5/5