

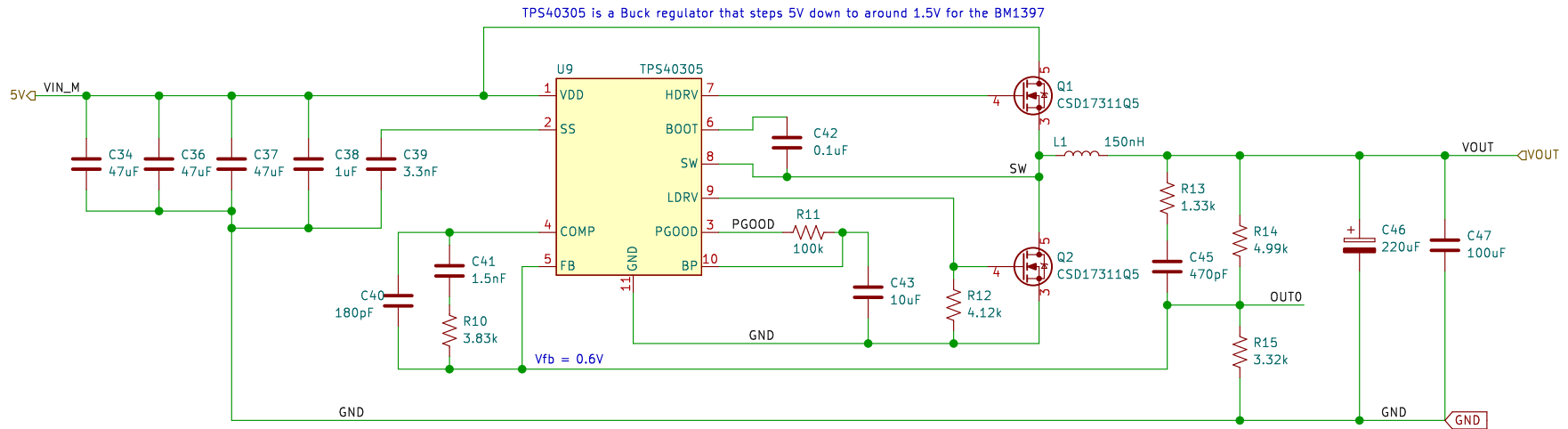
- H1 AlignmentHole
- H2 AlignmentHole
- H3 AlignmentHole
- H4 AlignmentHole
- H5 MountingHole
- H6 MountingHole

**bitaxe, yo**

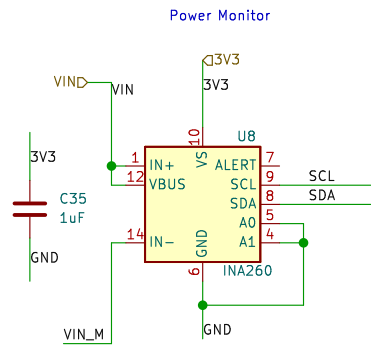
Sheet:  
File: bitaxeMax.kicad\_sch

**Title: le bitaxeMax**

Size: A	Date: 2022-11-08
KiCad E.D.A. kicad (7.0.0-0)	
<b>Rev: 2</b>	
Id: 1/5	

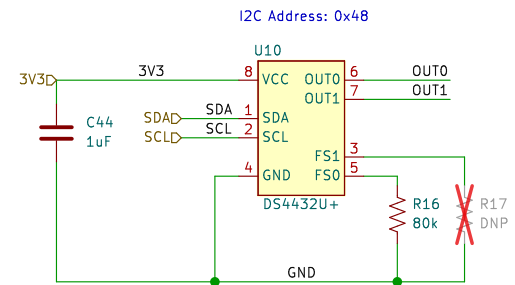
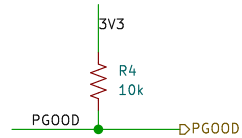


This jumper will let you bypass the power meter



I2C Address: 0x40

The INA260 is currently out of stock everywhere. This part is totally optional, feel free to leave it out if you can't source it. If you DNP it, close J7



DS4432U+ Lets us change the TPS40305 voltage over I2C

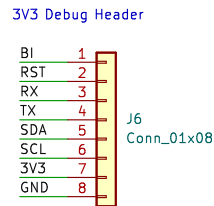
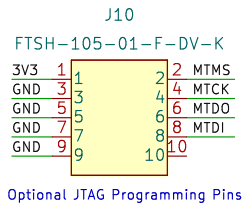
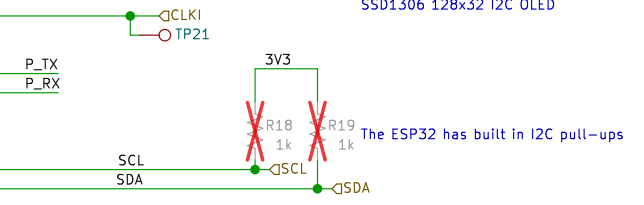
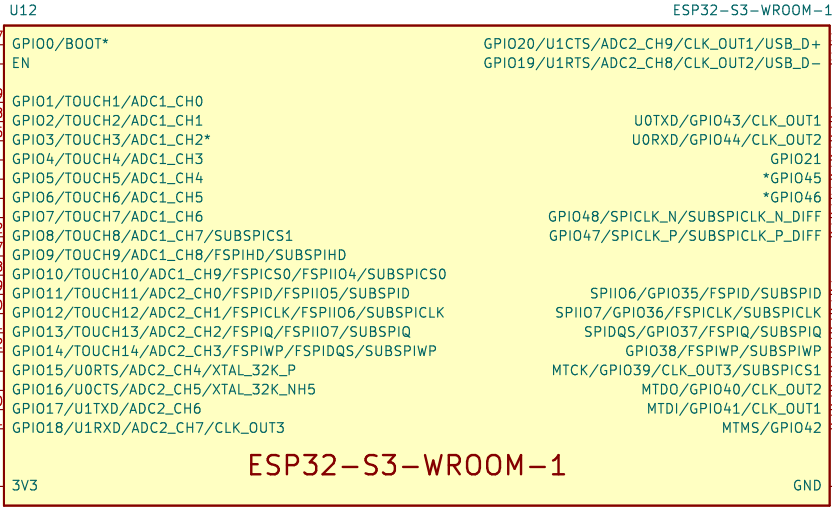
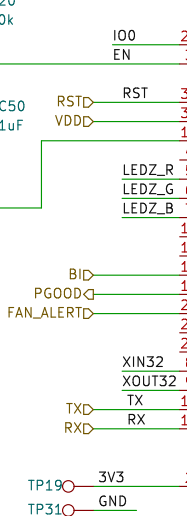
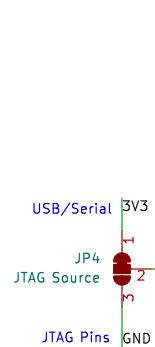
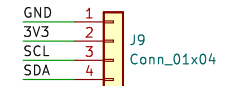
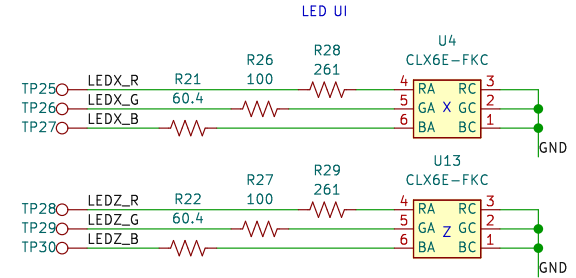
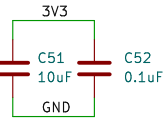
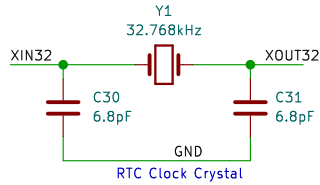
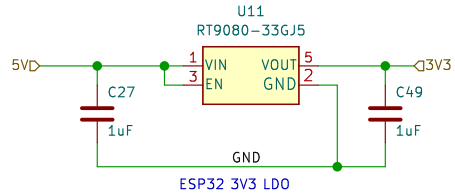
Sheet:  
File: power.kicad\_sch

**Title:**

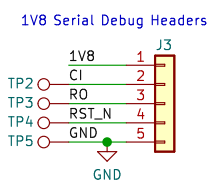
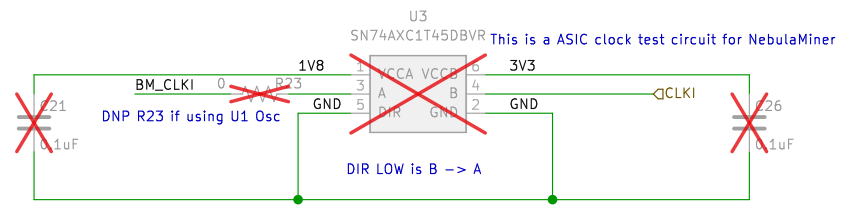
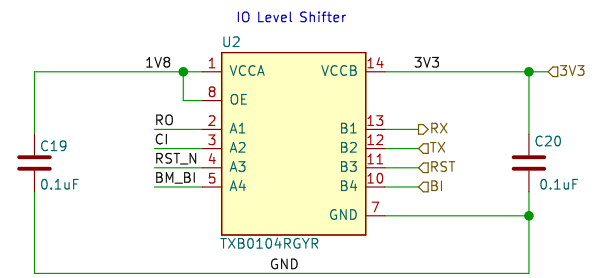
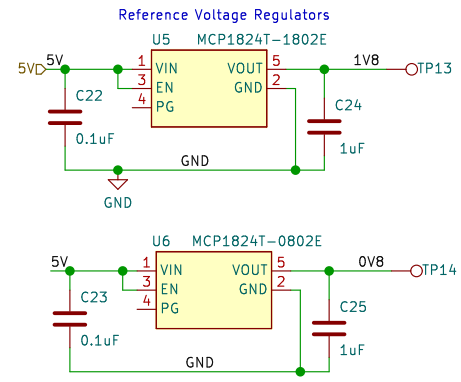
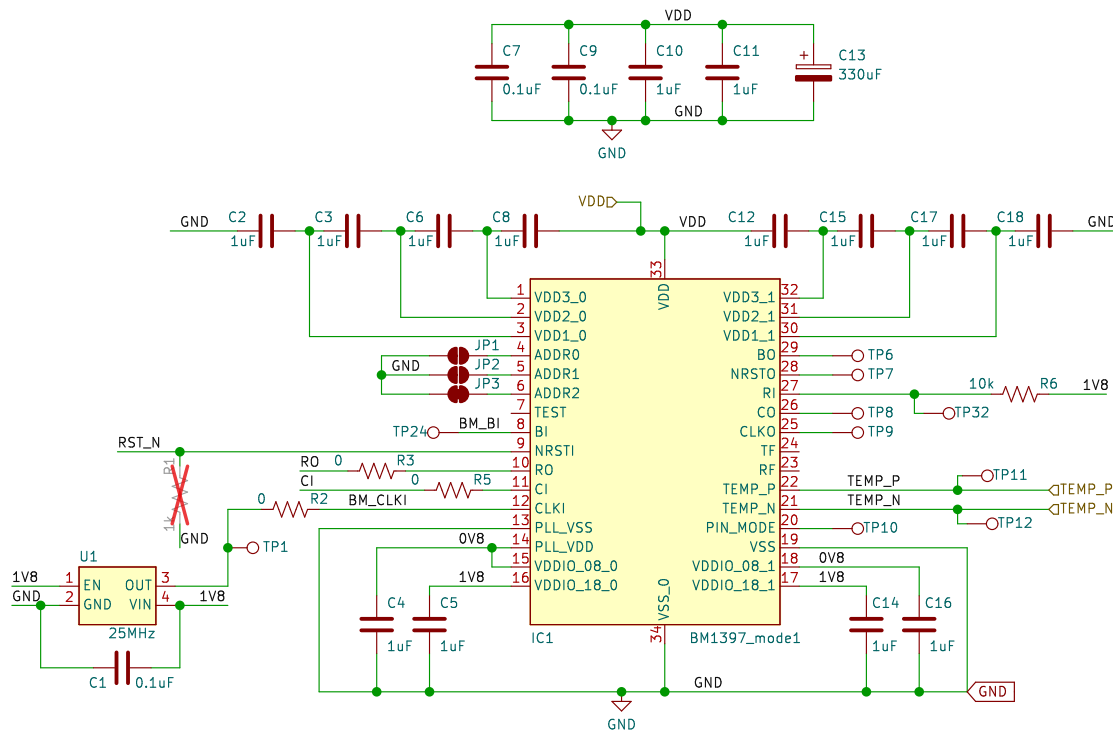
Size: A4  
KiCad E.D.A. kicad (7.0.0-0)

Date:

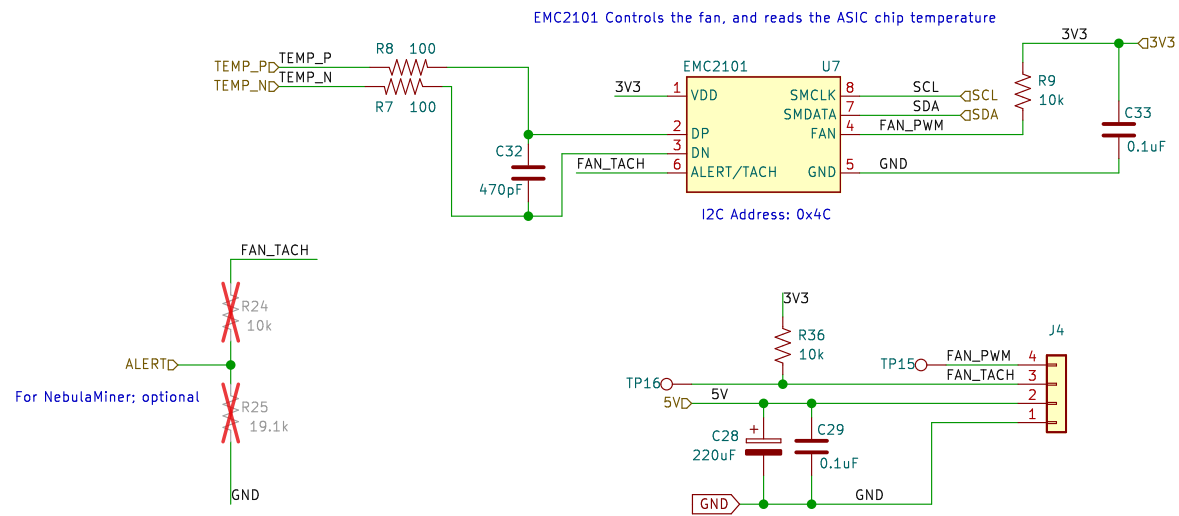
Rev:  
Id: 2/5



Sheet:	
File: esp32.kicad_sch	
<b>Title:</b>	
Size: A4	Date:
KiCad E.D.A. kicad (7.0.0-0)	Rev: Id: 3/5



Sheet:		File: bm1397.kicad_sch	
<b>Title:</b>			
Size: A4	Date:	Rev:	
KiCad E.D.A. kicad (7.0.0-0)		Id: 4/5	



Sheet:	
File: fan.kicad_sch	
<b>Title:</b>	
Size: A4	Date:
KiCad E.D.A. kicad (7.0.0-0)	Rev: Id: 5/5